

# PATENT ABSTRACTS OF JAPAN

(11)Publication number : 2002-060117

(43)Date of publication of application : 26.02.2002

---

(51)Int. Cl. B65H 31/26

B41J 29/00

B65H 31/00

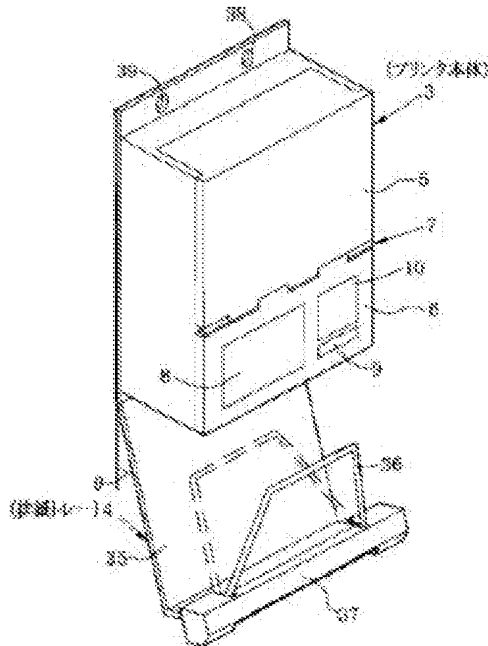
---

(21)Application number : 2000-249133 (71)Applicant : FUJI PHOTO FILM CO LTD

(22)Date of filing : 21.08.2000 (72)Inventor : MIYAZAKI NOBUO

---

## (54) WALL-MOUNTED PRINTER



(57)Abstract:

**PROBLEM TO BE SOLVED:** To print paper even if it is not exclusive paper and to maintain stacking performance.

**SOLUTION:** This wall-mounted printer is composed of a printer body 3 and a paper discharge tray 4. The paper discharge tray 4 is provided with a tray auxiliary member 36 of approximately V-shape. The tray auxiliary member 36 is rotated between a lead-in position and a pressing position. A drive mechanism is provided at one end of the tray auxiliary member 36, and a detecting means for detecting the stacked quantity of printed paper stacked on the paper discharge tray 4 is provided at the other end of the tray auxiliary member 36. When printing, the tray auxiliary member 36 is rotated between the pressing position and the lead-in position, and the stacked quantity is detected by the detecting means. When the stacked quantity is on a

specified level or lower, printing is carried out, and the tray auxiliary member 36 is moved and held into the lead-in position. When printing is completed, the tray auxiliary member 36 is rotated into the pressing position by the energizing force of a spring to hold the stacked paper.